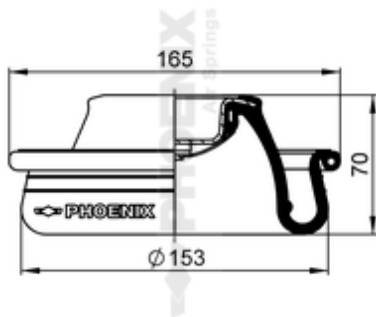


1 A 06 Z

71538





● bolt or stud

○ hole

⊗ combination stud

⊗ air inlet

Article status	Normal
GTIN/EAN	4054389107474
Bellow number	1 A 06
 kg	0,5 kg
	10002270

OE Manufacturer/Part No.

Manufacturer	Original Part No.	Model
Mercedes	100 320 01 17	
Mercedes	A 100 320 01 17	