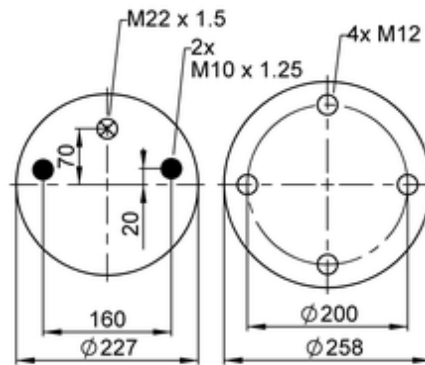
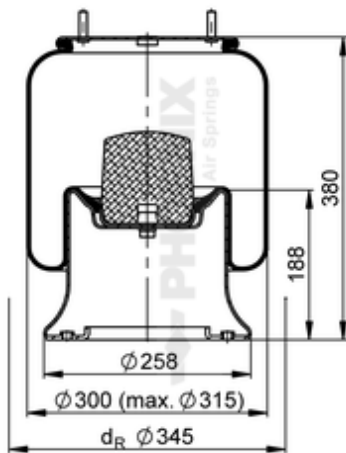


1 D 23 E-2

71386









● bolt or stud

○ hole

⊗ combination stud

⊗ air inlet

	10,6 kg
	10002131
	
	M10x1.25: max. 35 Nm
	M12: max. 70 Nm
	M22x1.5: max. 20 Nm

OE Manufacturer/Part No.

Manufacturer	Original Part No.	Model
Viberti	128147109	