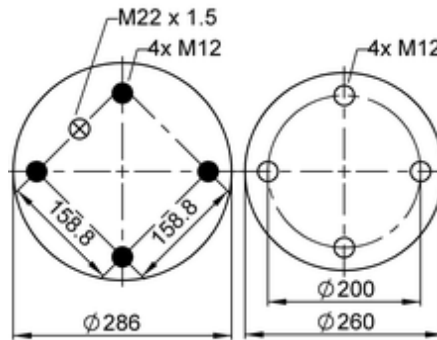
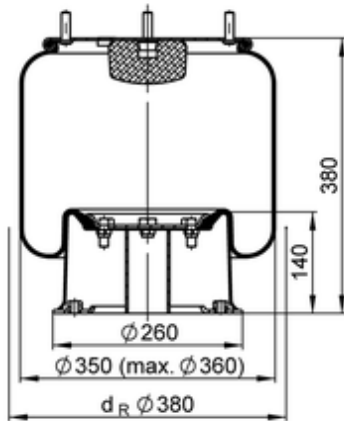


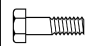





1 D 28 G-26

71265



● bolt or stud ○ hole ⊗ combination stud ⊗ air inlet

Article status	Not Available
GTIN/EAN	4054389104749
Bellow number	1 D 28 G
 kg	11,2 kg
	10002025
	K002
	
	M12: max. 70 Nm
	M22x1.5: max. 20 Nm

OE Manufacturer/Part No.

Manufacturer	Original Part No.	Model
--------------	-------------------	-------

SAMRO	H2500008
York	61.506243.01
Kaiser	A 06030620