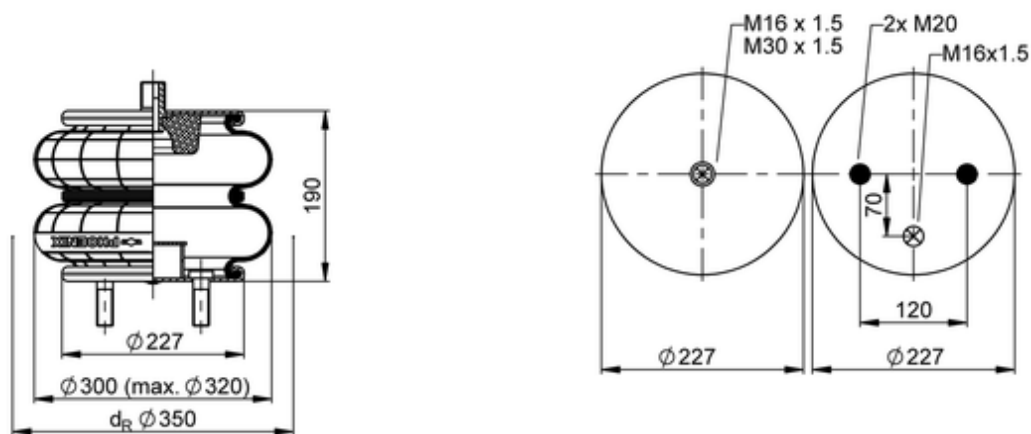







SP 2 B 22 R-1

71885



● bolt or stud ○ hole ⊗ combination stud ⊗ air inlet

| | |
|---|---------------------|
|  | 7,2 kg |
|  | 10002536 |
|  | M16x1.5: max. 30 Nm |
|  | M20x1.5: max. 80 Nm |
|  | M30x1.5: max. 80 Nm |

OE Manufacturer/Part No.

| Manufacturer | Original Part No. | Model |
|--------------|-------------------|-------|
| Kässbohrer | 4.731.045.100 | |
| Kässbohrer | 4.731.045.300 | |